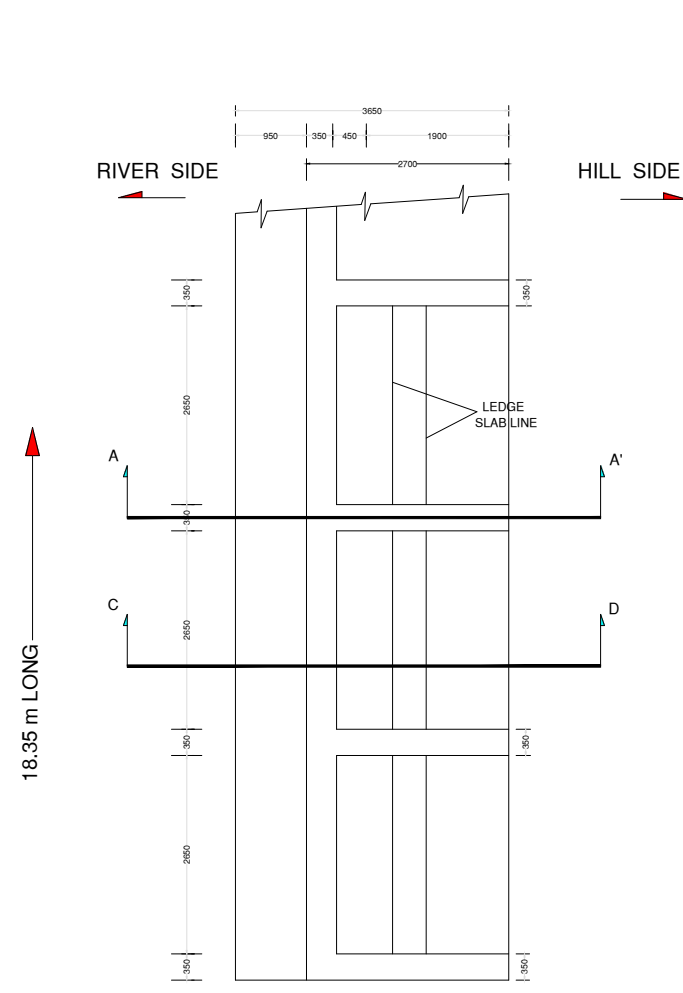
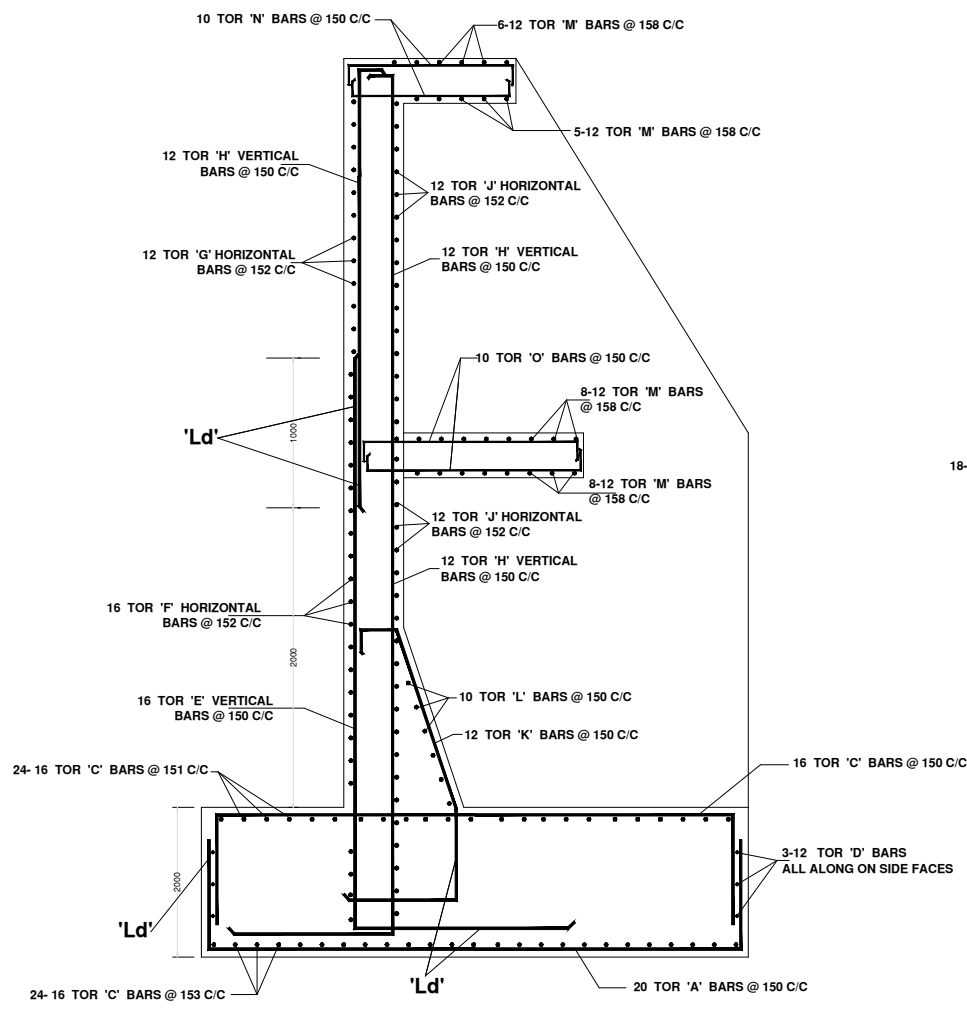


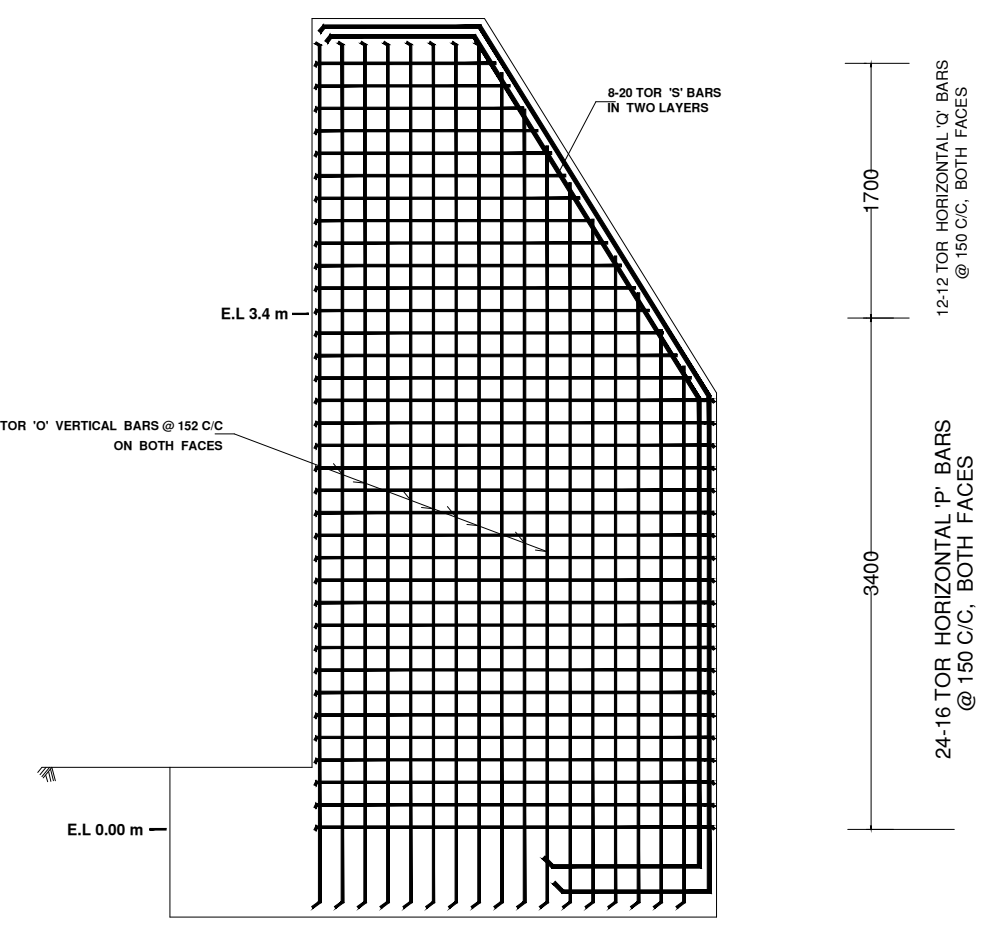
ASSAM POWER GENERATION CORPORATION LTD.	
OFFICE OF THE CHIEF GENERAL MANAGER	
HYDRO & CIVIL ENGINEERING DIVISION	
RIVER TRAINING WORK AT LEFT BANK D/S OF HATELUBI DAM/HEP	
PROPOSED LAYOUT PLAN OF D/S TRAINING WALLS	
Drawn by: A.J. MATHY (A.E.S.)	Approved by: R. BANERJEE (C.M. ENG.)
Disc. No. CGM/HC/RTW/2021/01	DATE: FEBRUARY, 2021



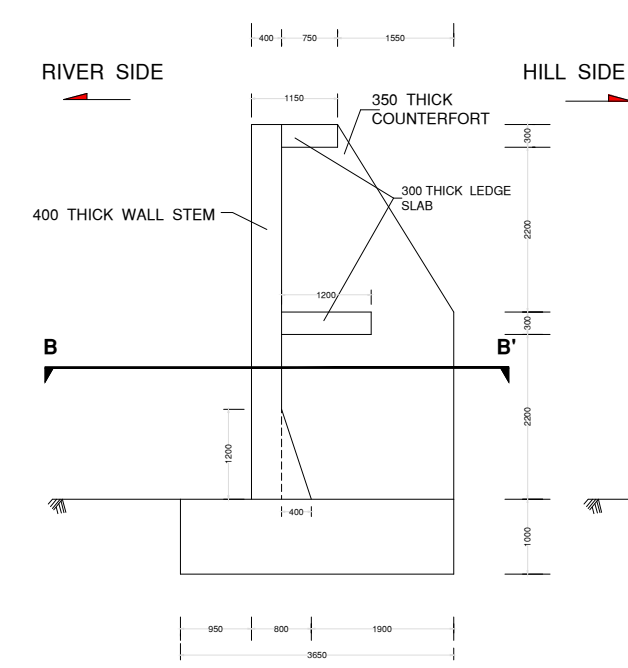
PLAN OF RETAINING WALL



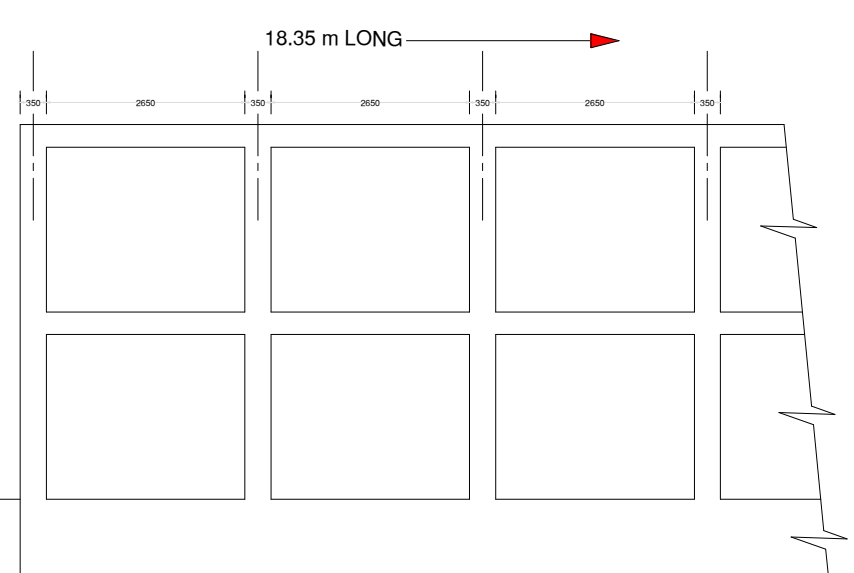
SECTION C-D
RE-BAR DETAIL IN BASE SLAB, STEM WALL AND LEDGES



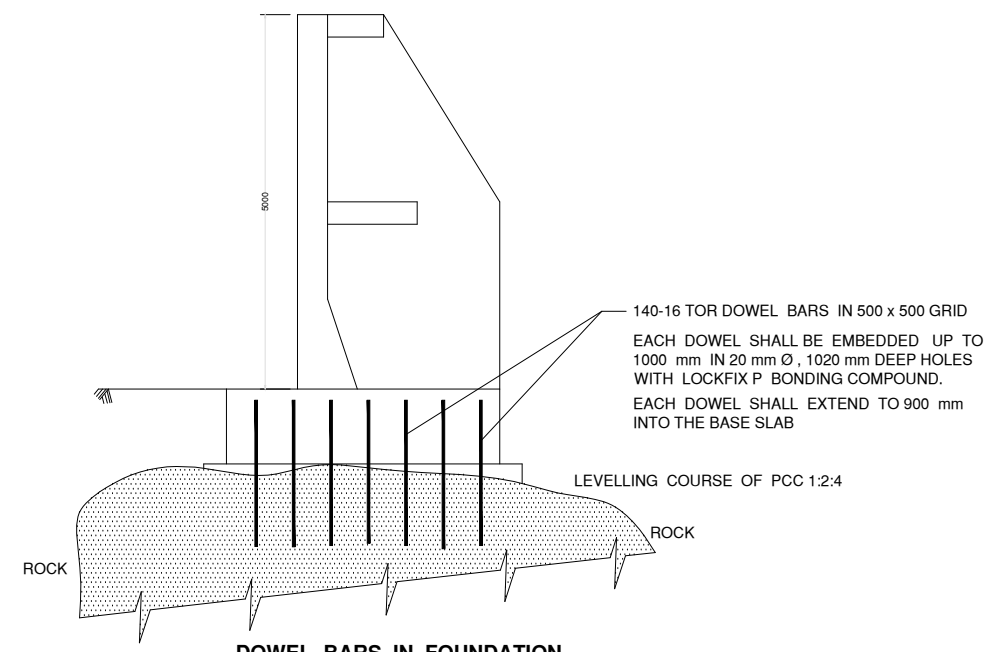
SECTION A-A'
RE-BAR DETAIL IN COUNTERFORT WALL



SIDE ELEVATION



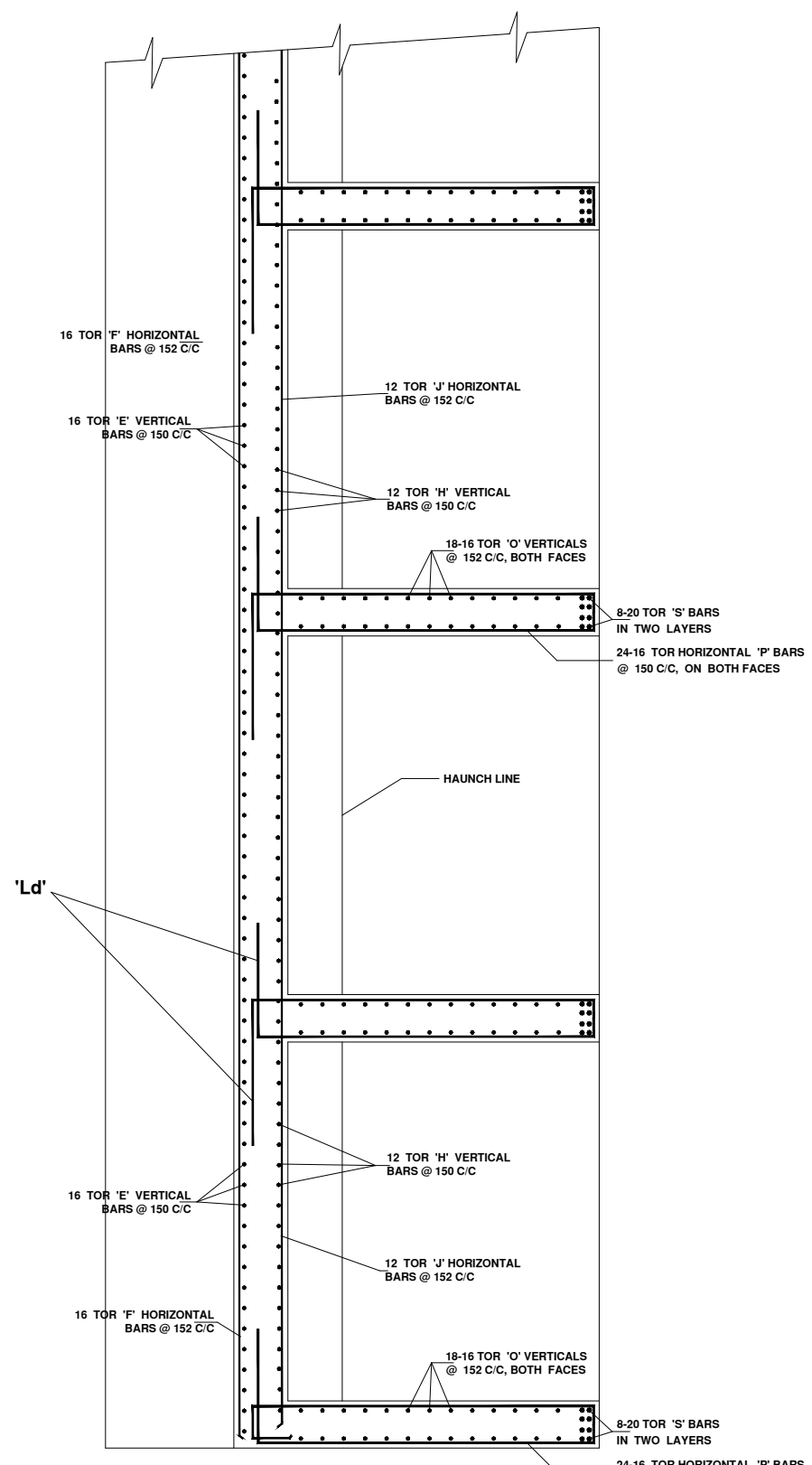
FRONT ELEVATION FROM HILL SIDE



DOWEL BARS IN FOUNDATION

140-16 TOR DOWEL BARS IN 500 x 500 GRID
EACH DOWEL SHALL BE EMBEDDED UP TO 1000 mm IN 20 mm Ø, 1020 mm DEEP HOLES WITH LOCKFIX P BONDING COMPOUND.
EACH DOWEL SHALL EXTEND TO 900 mm INTO THE BASE SLAB

- GENERAL NOTE FOR CONSTRUCTION
- ALL RCC WORK SHALL BE CAST WITH M20 GRADE OF CONCRETE (NOMINAL MIX OF 1:1.5:3)
 - COARSE AGGREGATE OF 20 mm DOWN SIZE SHOULD BE USED IN CONCRETE MIX.
 - CLEAR COVER TO REINFORCEMENT :
TO MAIN STEEL OF STEM WALL, COUNTER-FORT WALL AND BUTTRESS : 30 mm
TO MAIN STEEL OF SLAB BASE : 50 mm ON ALL SIDES .
 - UNLESS AND OTHERWISE SPECIFIED ALL DIMENSIONS ARE IN mm AND ONLY WRITTEN DIMENSIONS SHOULD BE FOLLOWED.(DIMENSIONS NOT TO SCALE.)
 - IN ALL CONCRETE STRUCTURES, HOOK LENGTH OF CONCRETE REINFORCEMENT SHOULD BE ATLEAST 75mm.
 - IN ALL CONCRETE STRUCTURES, CONNECTIONS OF RCC ELEMENTS SHOULD BE PROVIDED WITH DEVELOPMENT LENGTH (Ld) OF REINFORCEMENT WHICH IS ATLEAST 50 TIMES THE DIAMETER OF BARS .
 - EACH DOWEL SHALL BE EMBEDDED UP TO 1000 mm IN 20 mm Ø, 1020 mm DEEP HOLES WITH LOCKFIX P BONDING COMPOUND.
 - EACH DOWEL SHALL EXTEND TO 900 mm INTO THE BASE SLAB
 - DISTRIBUTION BAR IN COUNTER FORT WALL SHALL BE 24-16@150 C/C UP TO E.L. 3.4 m AND 12-12@150 C/C REST.



SECTION B-B'
RE-BAR DETAIL IN STEM WALL, COUNTERFORT WALL

ASSAM POWER GENERATION CORPORATION LTD	
OFFICE OF THE CHIEF GENERAL MANAGER HYDRO & CIVIL, BULEE BHAWAN, DIBRU-GUDDI	
RIVER TRAINING WORK AT LEFT BANK D/S OF HATIJUBI DAM/KHEP	
PLAN, ELEVATION, SECTION AND REINFORCEMENT DETAIL OF TYPE III (B) R.C.C TRAINING WALL	
DRAWN BY: K.J. SAITHI, J.E.C.	APPROVED BY: S. BISHWANATHI, C.E.M. (P&C)
DRG. NO. CGM/HSC/RIVER TRAINING WORK/KHEP/2021/02	
DATE	FEBRUARY, 2021